
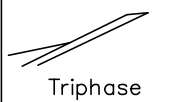

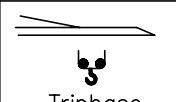
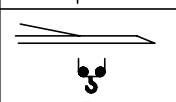

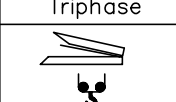



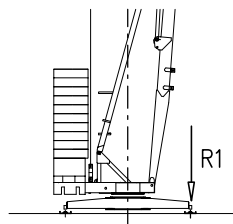
-  ○ TRIPHASE      -☐ 400 V
-  ■ MONOTRIPHASE      -☐ 230/400 V

**GRU A MONTAGGIO RAPIDO**  
**GRUE A MONTAGE RAPIDE**  
**GRUA DE RAPIDO MONTAJE**  
**GRUA DE MONTAGEM RAPIDA**  
**QUICK SELFRECTING CRANE**  
**HYDRAULISCHER SCHNELLMONTAGEKRAN**

Curve di carico – Courbes de charges – Load diagrams – LastKurven – Curvas de cargas

 MonoTriphase	☒ 230/400V	3 700	23 700	27,3 700	m kg	 Triphase	☒ 400V	3 700	23 700	27,3 700	m kg						
 MonoTriphase	☒ 230/400V	3	11,7	12	16	20	24	28	m	2200	2200	2110	1610	1220	970	800	kg
 Triphase	☒ 400V	3	11,7	12	16	20	24	28	m	2400	2400	2310	1610	1220	970	800	kg
 MonoTriphase	☒ 230/400V	3	12,7	16	20	23			m	2200	2200	1810	1375	1100			kg
 Triphase	☒ 400V	3	12,7	16	20	23			m	2400	2400	1810	1375	1100			kg
 MonoTriphase	☒ 230/400V	3	13,3						m	2200	2200						kg
 Triphase	☒ 400V	3	13,3						m	2400	2400						kg

Reazioni – Reactions – Réactions – Eckdrücke – Reacciones – Reações



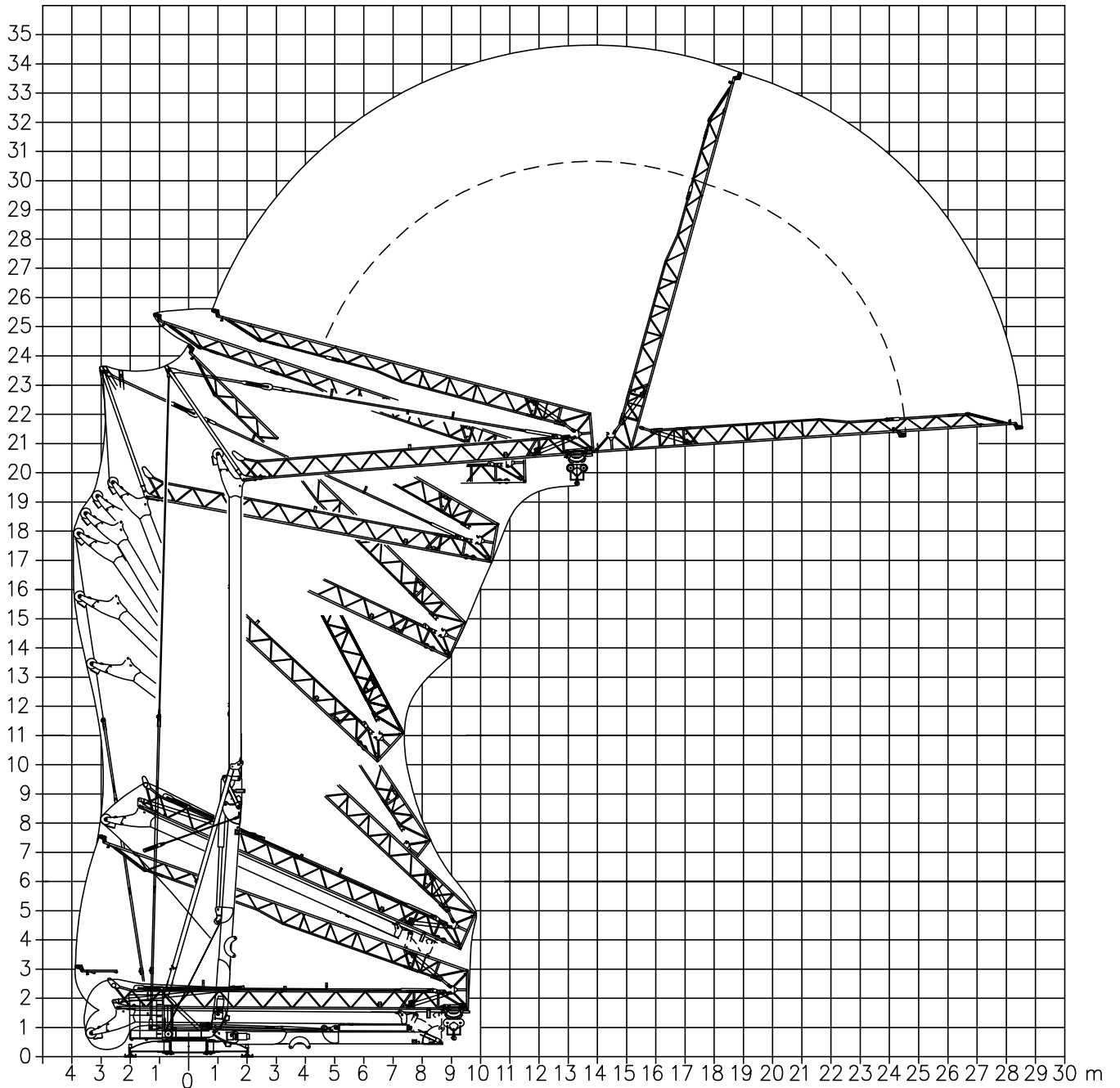
R1 ● 16 t ■ 12 t

▲ 9,4 t ◆ 18,1 t

{ N°2 A=3500Kg (1750Kgx2)  
 N°2 B=2100Kg (1050Kgx2)  
 N°10 C=12500Kg (1250Kgx10)

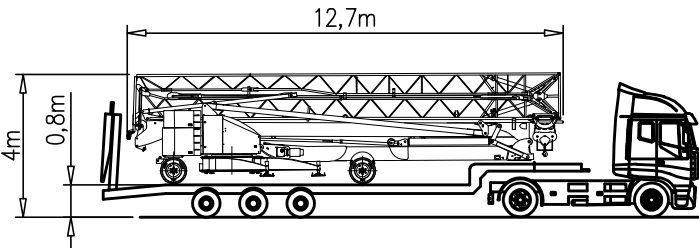
- |                               |                                       |                                      |
|-------------------------------|---------------------------------------|--------------------------------------|
| ● Reazioni in servizio        | ● Reactions in service                | ● Réactions en service               |
| ■ Reazioni fuori servizio     | ■ Reactions out of service            | ■ Réactions hors service             |
| ▲ Peso della gru senza assali | ▲ Dead weight without transport axles | ▲ Poids de construction sans essieux |
| ◆ Peso zavorra rotante        | ◆ Ballast weight                      | ◆ Poids du lest                      |
- 
- |  |  |   |
|--|--|---|
| ● Reaktionskräfte in betrieb               | ● Reacciones en servicio                 | ● Em serviço                              |
| ■ Reaktionskräfte außer betrieb            | ■ Reacciones fuera de servicio           | ■ Fora de serviço                         |
| ▲ Konstruktionsgewicht ohne transportachse | ▲ Peso de la grua sin tren de transporte | ▲ Peso de la grua sem carro de transporte |
| ◆ Ballastgewicht                           | ◆ Peso de lastre                         | ◆ Peso de lastre rotativo                 |

Montaggio – Montage – Erection – Montage – Montaje – Montagem



Trasporto – Transport – Transport – Transport – Transporte – Transporte

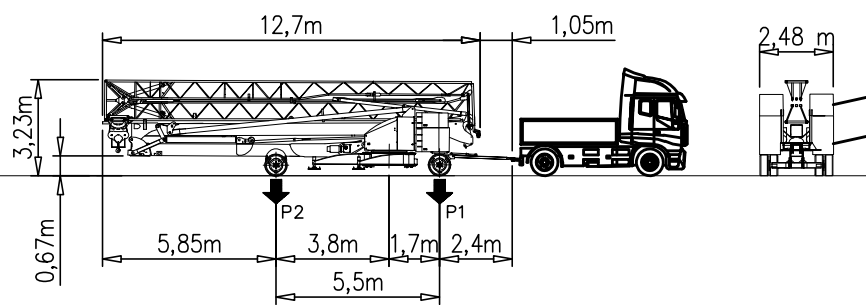
Trasporto



- ◆ Blocchi A 2x1750=3500 Kg
- ◆ Blocchi B 2x1050=2100 Kg

Peso di Trasporto (Blocchi A+B)	Kg	15780
---------------------------------	----	-------

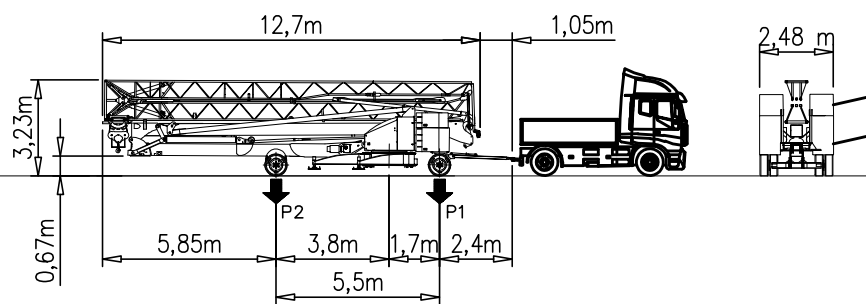
Traino 5Km/h



- ◆ Blocchi B 2x1050=2100 Kg
- ◆ Blocchi A 2x1750=3500 Kg

P1	Kg	7650
P2	Kg	8130
Ptot	Kg	15780

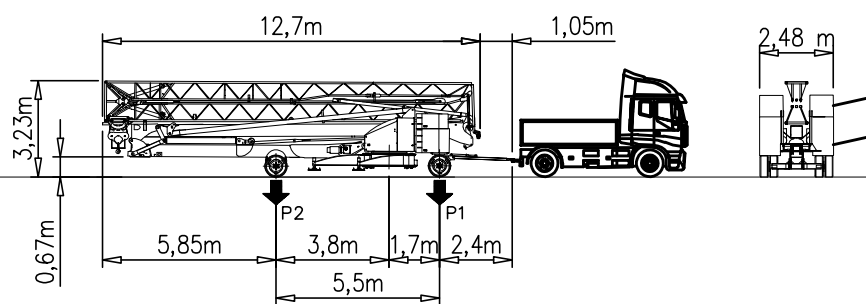
Traino 25Km/h



- ◆ Blocchi B 2x1050=2100 Kg
- ◆ Blocchi A 2x1750=3500 Kg

P1	Kg	8080
P2	Kg	8350
Ptot	Kg	16430

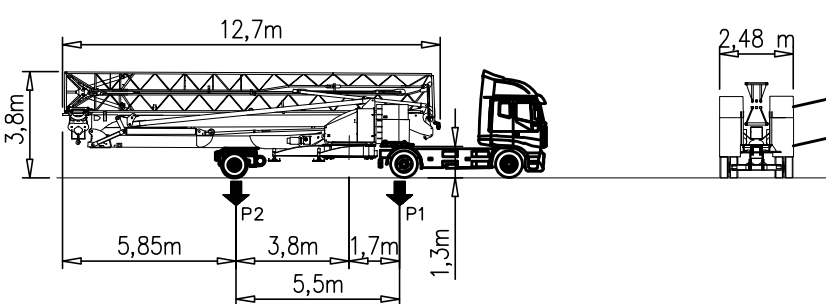
Traino 80Km/h



- ◆ Blocchi B 2x1050=2100 Kg
- ◆ Blocchi A 2x1750=3500 Kg

P1	Kg	8580
P2	Kg	8650
Ptot	Kg	17230

Traino 80Km/h



- ◆ Blocchi B 2x1050=2100 Kg
- ◆ Blocchi A 2x1750=3500 Kg

P1	Kg	8580
P2	Kg	8650
Ptot	Kg	17230

Triphase – 400V	V9.32 Sollevamento Hoisting Levage Heben Elevaciòn Elevaçao						V9.32 6.6 Kw (9 Hp) 17.5 kVA 	
		m/min	4	13	32			40
		t	2.4	2.4	1.0			0.6
Carrello Trolleying Distribution Katzfahren Distribuciòn Distribuiçao			1a	0 → 30	m/min	2.2 kW (3 Hp)		
			2a					
Rotazione Slewing Orientation Schwenken Orientaciòn Rotaçao			1a	0 → 0.8	giri/min tr/min rp/min	2.2 kW (3 Hp)		
			2a					
			3a					

MonoTriphase – 230/400V	V9.32 Sollevamento Hoisting Levage Heben Elevaciòn Elevaçao						V9.32 6.6 Kw (9 Hp) 17.5 kVA 	
		m/min	4	11	25			35
		t	2.2	2.2	1.0			0.6
Carrello Trolleying Distribution Katzfahren Distribuciòn Distribuiçao			1a	0 → 30	m/min	2.2 kW (3 Hp)		
			2a					
Rotazione Slewing Orientation Schwenken Orientaciòn Rotaçao			1a	0 → 0.8	giri/min tr/min rp/min	2.2 kW (3 Hp)		
			2a					
			3a					

Rete elettrica – Réseau – Mains supply – Netzstrom – Red – Alimentaçao	230/400V – 50 Hz
--	------------------

Potenza elettrica necessaria – Puissance électrique nécessaire Necessary electric power – Anschlusswert – Potencia electrica necesaria	3Hp – 17,5 kVA 1Hp – 2 kVA
---	-------------------------------

**AFM Gru** FMgru s.r.l.  
 via Emilia 11-29010 Pontenure PC ITALY  
 tel. 0523/510446 ric.aut. fax 0523/510365  
 www.fmgru.it e-mail: info@fmgru.com

FEM 1.001-A3  
2000/14/CE



Documento commerciale non contrattuale  
Per tutte le informazioni tecniche riferirsi  
alle corrispondenti istruzioni

Unverbindliches Vertriebsdokument.  
Für technische Informationen, siehe die  
entsprechenden Anweisungen.

This commercial document is not legally  
binding. For any technical information, please  
refer to the corresponding instructions.

Documento comercial no contractual  
Para cualquier información técnica,  
ver la noticia correspondiente.

Code: 15ICA37B45A0			
Ed.	Data	Rev	Data
1	18.09.06	4	21.03.19